

## CALCIUM FLAT PLATE

B A T T E R I E S



### Description

The EnerSys DXC is a durable multi-cell wrapped calcium flat plate battery. The DXC unit is optimized for long cycle life and high rate performance. It features the Yuasa time tested Slide-Lock™ post seal design and is most suited for UPS applications. This battery is rated at 100% capacity at initial discharge.

### Features

#### Safe

- Cover made from Flame Retardant materials (UL94-V0/L.O.I.28%). Container made from Flame Retardant polycarbonate (UL94-V0/L.O.I.28%) optional.

#### Application

- UPS
- Switchgear

#### Economical

- Multi-cell construction requires fewer units, resulting in lower installation costs.

#### Performance

- All battery systems rated at 100% capacity at initial discharge.
- Expanded capacity - .594 kW to 5.089 kW per cell to 1.67 VPC at the 15 minute rate.
- Energy - optimized for high performance, short duration rates.
- High conductivity/high integrity - lead plated copper terminal posts.
- Footprint - space efficient design reduces footprint requirements.

#### Durable

- Cycling - Wrapped positive plate for long cycle life.
- 20 year life expectancy in float service at 77°F ambient temperature.
- Long life Slide-Lock™ post seal design.

MODEL

**EXIDE**

**DXC**

**0.594kW-5.089kW**

APPLICATIONS:

**UPS  
SWITCHGEAR**

### Specifications

#### PLATE THICKNESS:

- POSITIVE: .200 inches (5.1mm)
- NEGATIVE: .130 inches (3.6 mm)

#### PLATE SUSPENSION TYPE:

- POSITIVE: Bridge hung
- NEGATIVE: Bottom supported

#### CONTAINER:

- Styrene Acrylonitrile Copolymer
- Container made from Flame Retardant polycarbonate (UL94-V0/L.O.I.28%) optional.

#### COVER: Made from Flame Retardant PVC (UL94-V0/L.O.I.28%)

#### SEPARATORS: Microporous plastic

#### BOLT CONNECTORS:

- Stainless Steel, Standard English Measure, Hex-Head

#### INTERUNIT CONNECTORS:

- Lead-Plated Copper

#### ELECTROLYTE OVER PLATES:

- 2.88 inches (73.1mm)

#### VENT TYPE:

- Flame Arrestor, Fused Alumina

#### FLOAT VOLTAGE SETTINGS:

- ACCEPTABLE MIN/MAX: 2.17/2.26 VPC
- RECOMMENDED: 2.25 VPC for standard gravity (1.215 S.G.)

#### SEDIMENT SPACE:

- 1.04 inches (26.4 mm)

#### POSTS:

- Lead-plated copper insert
- DX-5 to DX-25 - one positive post and one negative post per cell.
- DX-27 to DX-35 - two positive posts and two negative posts per cell.

#### POST SEAL TYPE:

- Slide-Lock™

#### SPECIFIC GRAVITY:

- 1.215 standard(1.250 available upon request)

AVERAGE CELL PERFORMANCE DATA\* (Discharge Rates in Amperes\*\*)

TYPE	8 HR	7 HR	6 HR	5 HR	4 HR	3.5 HR	3 HR	2.5 HR	2 HR	1.5 HR	60 MIN	30 MIN	15 MIN	5 MIN	1 MIN <sup>1</sup>	1 MIN <sup>1</sup> to 1.50 VPC
<b>1.250 SPECIFIC GRAVITY TO 1.75 END VOLTS PER CELL</b>																
<b>DXC-5B</b>	29.4	33.9	37.8	43.1	50.7	55.5	61.0	73.4	80.4	100.6	139.0	223.5	324.7	470.0	521.7	710.7
<b>DXC-7B</b>	42.3	47.1	54.2	61.2	73.7	80.4	87.1	106.7	117.3	146.7	204.6	333.7	481.8	698.5	778.5	1056.0
<b>DXC-9B</b>	55.2	61.2	70.7	79.4	94.7	101.4	110.4	138.0	151.5	190.9	268.2	440.1	634.9	922.8	1034.3	1392.9
<b>DXC-11B</b>	74.5	86.6	98.7	111.0	133.0	144.5	166.5	189.9	211.6	265.2	363.2	542.5	787.9	1021.9	1164.2	2039.1
<b>DXC-13B</b>	86.4	99.8	112.3	129.2	154.1	170.3	194.6	223.2	251.3	315.1	427.8	645.8	935.8	1226.8	1391.3	2441.5
<b>DXC-15B</b>	97.5	110.2	125.8	143.6	173.2	191.4	220.7	253.6	289.2	364.0	490.5	753.1	1078.5	1430.5	1616.3	2841.7
<b>DXC-17B</b>	106.7	119.6	136.5	159.8	192.4	213.4	245.9	282.9	326.2	411.0	553.1	853.6	1218.1	1635.3	1839.3	3240.9
<b>DXC-19B</b>	109.4	125.2	145.2	167.5	198.1	217.2	248.8	287.8	330.8	417.6	583.5	921.5	1296.6	1795.9	2029.6	3435.2
<b>DXC-21B</b>	121.4	139.4	162.6	185.7	219.2	241.2	276.8	319.2	367.8	464.6	712.7	1061.3	1503.4	2103.2	2374.4	3974.8
<b>DXC-23B</b>	134.3	153.5	178.1	203.8	241.2	265.1	304.0	351.5	403.8	510.7	770.5	1156.8	1636.8	2283.2	2489.0	4327.5
<b>DXC-25B</b>	146.2	167.6	194.6	223.0	263.2	290.0	332.0	383.8	440.7	557.7	825.3	1250.3	1768.1	2465.4	2698.7	4676.0
<b>DXC-27B</b>	183.0	207.2	241.0	274.7	329.2	358.9	395.9	471.9	525.8	664.9	905.6	1384.2	1953.2	2723.0	2998.4	5170.2
<b>DXC-29B</b>	190.4	215.6	251.7	287.1	342.6	375.1	418.2	492.4	551.6	699.7	958.4	1475.8	2081.4	2897.7	3211.2	5512.3
<b>DXC-31B</b>	195.0	224.1	261.4	298.6	355.0	386.6	420.1	513.0	572.0	731.7	1007.4	1566.3	2207.6	3066.9	3420.9	5847.1
<b>DXC-33B</b>	202.3	230.7	268.1	308.2	364.6	400.0	427.9	528.7	591.4	761.8	1055.4	1654.9	2329.6	3232.9	3627.6	6170.2
<b>DXC-35B</b>	206.9	237.3	275.9	315.8	373.2	408.6	435.6	543.3	609.8	789.1	1100.4	1741.6	2449.5	3393.5	3834.2	6490.2
<b>1.215 SPECIFIC GRAVITY TO 1.75 END VOLTS PER CELL</b>																
<b>DXC-5</b>	26.8	30.8	34.3	39.2	46	50	55	67	73	91	126	203	295	427	474	646
<b>DXC-7</b>	38.5	42.8	49.3	55.7	67	73	79	97	107	133	186	303	438	635	708	960
<b>DXC-9</b>	50.2	55.6	64.2	72.2	86	92	100	125	138	174	244	400	577	839	904	1266
<b>DXC-11</b>	67.7	78.8	89.8	100.9	121	131	151	173	192	241	330	493	716	929	1058	1854
<b>DXC-13</b>	78.6	90.7	102.1	117.5	140	155	177	203	228	286	389	587	851	1115	1265	2220
<b>DXC-15</b>	88.6	100.2	114.4	130.5	157	174	201	231	263	331	446	685	980	1300	1469	2583
<b>DXC-17</b>	97.0	108.7	124.1	145.3	175	194	224	257	297	374	503	776	1107	1487	1672	2946
<b>DXC-19</b>	99.5	113.8	132.0	152.3	180	197	226	262	301	380	530	838	1179	1633	1845	3123
<b>DXC-21</b>	110.4	126.7	147.8	168.8	199	219	252	290	334	422	648	965	1367	1912	2159	3613
<b>DXC-23</b>	122.1	139.5	161.9	185.3	219	241	276	320	367	464	700	1052	1488	2076	2263	3934
<b>DXC-25</b>	132.9	152.4	176.9	202.7	239	264	302	349	401	507	750	1137	1607	2241	2453	4251
<b>DXC-27</b>	166.4	188.3	219.1	249.7	299	326	360	429	478	604	823	1258	1776	2475	2726	4700
<b>DXC-29</b>	173.1	196.0	228.8	261.0	311	341	380	448	501	636	871	1342	1892	2634	2919	5011
<b>DXC-31</b>	177.2	203.7	237.6	271.4	323	351	382	466	520	665	916	1424	2007	2788	3110	5316
<b>DXC-33</b>	183.9	209.7	243.8	280.1	331	364	389	481	538	693	959	1504	2118	2939	3298	5609
<b>DXC-35</b>	188.1	215.7	250.8	287.1	339	371	396	494	554	717	1000	1583	2227	3085	3486	5900

\*Ampere values listed represent 100% of the initial capacity.

\*\*At 77°F (25°C) includes intercell connector drop.

<sup>1</sup>One minute rates to 1.50 and 1.75 VPC should only be used for short circuit calculations and not as performance data.

All data subject to change without notice.

## Average Cell Performance Data\* Discharge Rates in KW Per Cell\*\*

TYPE	5 MIN	10 MIN	15 MIN	20 MIN	25 MIN	30 MIN	45 MIN	60 MIN	90 MIN	120 MIN	180 MIN
<b>1.250 SPECIFIC GRAVITY    TO 1.75 END VOLTS PER CELL</b>											
<b>DXC-5B</b>	0.832	0.697	0.597	0.523	0.462	0.415	0.326	0.255	0.186	0.156	0.121
<b>DXC-7B</b>	1.235	1.036	0.884	0.778	0.668	0.615	0.487	0.375	0.274	0.228	0.176
<b>DXC-9B</b>	1.632	1.368	1.166	1.030	0.909	0.813	0.692	0.492	0.356	0.293	0.220
<b>DXC-11B</b>	1.809	1.626	1.449	1.253	1.103	1.003	0.808	0.666	0.496	0.411	0.317
<b>DXC-13B</b>	2.171	1.930	1.718	1.495	1.318	1.194	0.964	0.787	0.588	0.486	0.371
<b>DXC-15B</b>	2.530	2.229	1.981	1.732	1.537	1.394	1.077	0.903	0.680	0.560	0.423
<b>DXC-17B</b>	2.892	2.519	2.236	1.972	1.751	1.579	1.237	1.015	0.768	0.632	0.469
<b>DXC-19B</b>	3.174	2.742	2.381	2.094	1.876	1.705	1.293	1.070	0.780	0.641	0.488
<b>DXC-21B</b>	3.710	3.163	2.756	2.417	2.152	1.958	1.595	1.305	0.867	0.712	0.563
<b>DXC-23B</b>	4.036	3.446	3.000	2.630	2.344	2.134	1.723	1.412	0.954	0.785	0.616
<b>DXC-25B</b>	4.352	3.724	3.241	2.842	2.534	2.305	1.846	1.512	1.040	0.856	0.667
<b>DXC-27B</b>	4.815	4.126	3.586	3.147	2.811	2.558	2.001	1.664	1.242	1.020	0.779
<b>DXC-29B</b>	5.125	4.399	3.822	3.353	3.000	2.729	2.087	1.761	1.307	1.068	0.813
<b>DXC-31B</b>	5.424	4.666	4.053	3.542	3.186	2.896	1.979	1.851	1.367	1.109	0.858
<b>DXC-33B</b>	5.718	4.925	4.278	3.761	3.367	3.058	2.314	1.939	1.421	1.148	0.864
<b>DXC-35B</b>	6.002	5.181	4.497	3.962	3.544	3.219	2.510	2.023	1.474	1.183	0.877
<b>TO 1.67 END VOLTS PER CELL</b>											
<b>DXC-5B</b>	0.908	0.758	0.653	0.566	0.501	0.451	0.344	0.265	0.187	0.156	0.121
<b>DXC-7B</b>	1.350	1.124	0.971	0.841	0.744	0.669	0.509	0.393	0.275	0.228	0.176
<b>DXC-9B</b>	1.785	1.483	1.280	1.115	0.982	0.882	0.729	0.515	0.358	0.293	0.220
<b>DXC-11B</b>	2.154	1.891	1.610	1.381	1.220	1.099	0.846	0.677	0.498	0.411	0.317
<b>DXC-13B</b>	2.585	2.239	1.902	1.641	1.449	1.299	1.000	0.804	0.590	0.486	0.371
<b>DXC-15B</b>	3.016	2.580	2.185	1.889	1.675	1.504	1.135	0.927	0.684	0.560	0.423
<b>DXC-17B</b>	3.447	2.908	2.459	2.135	1.900	1.707	1.280	1.048	0.772	0.632	0.469
<b>DXC-19B</b>	3.762	3.140	2.693	2.351	2.088	1.863	1.364	1.122	0.784	0.641	0.488
<b>DXC-21B</b>	4.327	3.646	3.133	2.720	2.409	2.160	1.655	1.327	0.871	0.712	0.563
<b>DXC-23B</b>	4.715	3.969	3.409	2.963	2.625	2.352	1.792	1.440	0.959	0.785	0.616
<b>DXC-25B</b>	5.095	4.282	3.629	3.180	2.835	2.537	1.931	1.550	1.045	0.856	0.667
<b>DXC-27B</b>	5.651	4.740	4.073	3.545	3.141	2.809	2.112	1.713	1.248	1.020	0.779
<b>DXC-29B</b>	6.026	5.050	4.337	3.777	3.349	2.994	2.234	1.820	1.314	1.068	0.813
<b>DXC-31B</b>	6.393	5.350	4.593	4.003	3.551	3.171	2.349	1.922	1.372	1.109	0.858
<b>DXC-33B</b>	6.756	5.645	4.844	4.226	3.751	3.347	2.468	2.023	1.428	1.148	0.864
<b>DXC-35B</b>	7.108	5.932	5.089	4.442	3.945	3.519	2.575	2.119	1.481	1.183	0.877
<b>TO 1.60 END VOLTS PER CELL</b>											
<b>DXC-5B</b>	0.931	0.780	0.671	0.582	0.511	0.456	0.349	0.266	0.187	0.156	0.121
<b>DXC-7B</b>	1.382	1.162	0.997	0.866	0.760	0.677	0.516	0.393	0.275	0.228	0.176
<b>DXC-9B</b>	1.824	1.536	1.317	1.149	1.027	0.943	0.739	0.516	0.358	0.293	0.220
<b>DXC-11B</b>	2.320	1.970	1.677	1.441	1.255	1.114	0.857	0.679	0.498	0.411	0.317
<b>DXC-13B</b>	2.783	2.344	1.985	1.713	1.496	1.327	1.014	0.806	0.590	0.486	0.371
<b>DXC-15B</b>	3.248	2.712	2.284	1.977	1.729	1.525	1.151	0.929	0.684	0.560	0.423
<b>DXC-17B</b>	3.712	3.074	2.573	2.236	1.963	1.732	1.298	1.050	0.772	0.632	0.469
<b>DXC-19B</b>	4.064	3.375	2.837	2.476	2.165	1.888	1.382	1.124	0.784	0.641	0.488
<b>DXC-21B</b>	4.672	3.857	3.248	2.819	2.478	2.203	1.677	1.330	0.871	0.712	0.563
<b>DXC-23B</b>	5.090	4.206	3.542	3.077	2.702	2.395	1.816	1.443	0.959	0.785	0.616
<b>DXC-25B</b>	5.503	4.549	3.865	3.343	2.921	2.584	1.957	1.553	1.045	0.856	0.667
<b>DXC-27B</b>	6.099	5.050	4.248	3.698	3.244	2.861	2.141	1.717	1.248	1.020	0.779
<b>DXC-29B</b>	6.508	5.391	4.535	3.951	3.463	3.044	2.264	1.824	1.314	1.068	0.813
<b>DXC-31B</b>	6.906	5.723	4.815	4.198	3.676	3.223	2.381	1.926	1.372	1.109	0.858
<b>DXC-33B</b>	7.295	6.053	5.090	4.440	3.887	3.401	2.501	2.027	1.428	1.148	0.864
<b>DXC-35B</b>	7.678	6.375	5.360	4.677	4.090	3.569	2.609	2.123	1.481	1.183	0.877

TYPE	5 MIN	10 MIN	15 MIN	20 MIN	25 MIN	30 MIN	45 MIN	60 MIN	90 MIN	120 MIN	180 MIN
<b>1.215 SPECIFIC GRAVITY    TO 1.75 END VOLTS PER CELL</b>											
<b>DXC-5</b>	0.757	0.634	0.543	0.475	0.420	0.377	0.296	0.232	0.169	0.142	0.110
<b>DXC-7</b>	1.123	0.942	0.804	0.707	0.626	0.559	0.443	0.341	0.249	0.207	0.160
<b>DXC-9</b>	1.484	1.244	1.060	0.936	0.826	0.739	0.629	0.447	0.324	0.267	0.200
<b>DXC-11</b>	1.644	1.478	1.317	1.139	1.003	0.912	0.734	0.606	0.450	0.374	0.288
<b>DXC-13</b>	1.974	1.754	1.562	1.359	1.198	1.086	0.876	0.715	0.534	0.442	0.337
<b>DXC-15</b>	2.300	2.027	1.801	1.575	1.397	1.268	0.979	0.821	0.618	0.509	0.385
<b>DXC-17</b>	2.629	2.290	2.033	1.793	1.592	1.436	1.125	0.923	0.698	0.574	0.427
<b>DXC-19</b>	2.885	2.493	2.164	1.904	1.706	1.550	1.175	0.973	0.709	0.583	0.444
<b>DXC-21</b>	3.373	2.875	2.505	2.197	1.956	1.780	1.450	1.187	0.788	0.648	0.511
<b>DXC-23</b>	3.669	3.133	2.727	2.391	2.131	1.940	1.566	1.284	0.867	0.713	0.560
<b>DXC-25</b>	3.956	3.386	2.946	2.584	2.304	2.096	1.678	1.375	0.945	0.778	0.606
<b>DXC-27</b>	4.378	3.750	3.260	2.861	2.556	2.325	1.819	1.513	1.129	0.928	0.708
<b>DXC-29</b>	4.659	3.999	3.474	3.048	2.727	2.481	1.898	1.601	1.188	0.971	0.739
<b>DXC-31</b>	4.931	4.241	3.684	3.220	2.896	2.632	1.799	1.683	1.242	1.008	0.78
<b>DXC-33</b>	5.198	4.478	3.889	3.419	3.061	2.780	2.104	1.762	1.292	1.044	0.785
<b>DXC-35</b>	5.457	4.710	4.088	3.602	3.222	2.927	2.282	1.839	1.340	1.076	0.797
<b>TO 1.67 END VOLTS PER CELL</b>											
<b>DXC-5</b>	0.825	0.689	0.594	0.514	0.455	0.410	0.313	0.241	0.170	0.142	0.110
<b>DXC-7</b>	1.227	1.022	0.883	0.765	0.676	0.608	0.463	0.357	0.250	0.207	0.160
<b>DXC-9</b>	1.623	1.348	1.164	1.014	0.893	0.802	0.663	0.468	0.325	0.267	0.20
<b>DXC-11</b>	1.958	1.719	1.464	1.256	1.109	0.999	0.769	0.616	0.452	0.374	0.288
<b>DXC-13</b>	2.350	2.035	1.730	1.492	1.318	1.181	0.909	0.731	0.537	0.442	0.337
<b>DXC-15</b>	2.742	2.345	1.987	1.717	1.523	1.368	1.032	0.843	0.622	0.509	0.385
<b>DXC-17</b>	3.134	2.644	2.236	1.941	1.727	1.552	1.164	0.952	0.702	0.574	0.427
<b>DXC-19</b>	3.420	2.855	2.448	2.137	1.898	1.693	1.240	1.020	0.713	0.583	0.444
<b>DXC-21</b>	3.934	3.314	2.848	2.473	2.190	1.963	1.505	1.206	0.792	0.648	0.511
<b>DXC-23</b>	4.287	3.608	3.099	2.694	2.386	2.138	1.629	1.309	0.872	0.713	0.560
<b>DXC-25</b>	4.631	3.893	3.299	2.891	2.577	2.306	1.756	1.409	0.950	0.778	0.606
<b>DXC-27</b>	5.137	4.309	3.702	3.223	2.856	2.554	1.920	1.558	1.134	0.928	0.708
<b>DXC-29</b>	5.478	4.591	3.943	3.434	3.045	2.722	2.031	1.655	1.195	0.971	0.739
<b>DXC-31</b>	5.811	4.864	4.176	3.639	3.228	2.883	2.136	1.747	1.247	1.008	0.780
<b>DXC-33</b>	6.142	5.132	4.404	3.842	3.410	3.043	2.243	1.839	1.299	1.044	0.785
<b>DXC-35</b>	6.462	5.393	4.626	4.038	3.586	3.199	2.341	1.926	1.347	1.076	0.797
<b>TO 1.60 END VOLTS PER CELL</b>											
<b>DXC-5</b>	0.847	0.710	0.610	0.529	0.465	0.415	0.317	0.242	0.170	0.142	0.110
<b>DXC-7</b>	1.256	1.056	0.906	0.787	0.691	0.616	0.469	0.358	0.250	0.207	0.160
<b>DXC-9</b>	1.658	1.397	1.197	1.045	0.934	0.857	0.672	0.469	0.325	0.267	0.200
<b>DXC-11</b>	2.109	1.790	1.525	1.310	1.140	1.012	0.779	0.617	0.452	0.374	0.288
<b>DXC-13</b>	2.530	2.131	1.804	1.557	1.360	1.206	0.921	0.732	0.537	0.442	0.337
<b>DXC-15</b>	2.953	2.466	2.077	1.798	1.572	1.387	1.046	0.845	0.622	0.509	0.385
<b>DXC-17</b>	3.374	2.795	2.339	2.033	1.785	1.575	1.180	0.954	0.702	0.574	0.427
<b>DXC-19</b>	3.695	3.068	2.579	2.251	1.968	1.717	1.257	1.022	0.713	0.583	0.444
<b>DXC-21</b>	4.247	3.506	2.953	2.563	2.253	2.002	1.525	1.209	0.792	0.648	0.511
<b>DXC-23</b>	4.628	3.824	3.220	2.797	2.457	2.177	1.651	1.312	0.872	0.713	0.560
<b>DXC-25</b>	5.003										

# Capacities - Dimensions - Weights

TYPE*	NOM. Ah CAP.†	OVERALL DIMENSIONS						WEIGHTS - VOLUMES							
		L**		W		H		UNPACKED		DOMESTIC PACKED		ELECTROLYTE ONLY 1.215 S.G.			
		in	mm	in	mm	in	mm	lbs	kgs	lbs	kgs	lbs	kgs	gal	/
4DXC-5	214	9.50	241	16.00	406	22.00	558	256.0	116.4	263.0	119.5	80.0	36.4	7.5	28.4
4DXC-7	308	9.50	241	16.00	406	22.00	558	303.0	137.7	312.0	141.8	70.0	31.8	6.7	25.4
4DXC-9	402	9.50	241	16.00	406	22.00	558	353.0	160.5	363.0	152.7	63.0	28.6	6.0	2
4DXC-11	542	16.70	424	16.00	406	22.68	576	507.0	230.5	522.0	237.3	146.0	66.4	14.0	53.0
4DXC-13	629	16.70	424	16.00	406	22.68	576	557.0	253.2	573.0	260.4	138.0	62.7	13.0	49.2
4DXC-15	709	16.70	424	16.00	406	22.68	576	606.0	275.5	624.0	283.6	130.0	59.1	12.5	47.3
4DXC-17	778	16.70	424	16.00	406	22.68	576	656.0	298.2	675.0	306.8	122.0	55.4	11.8	44.7
2DXC-19	796	9.50	241	16.00	406	22.68	576	373.0	169.5	384.0	174.5	67.0	30.4	6.5	24.6
2DXC-21	883	12.12	308	16.00	406	22.68	576	448.3	203.8	463.3	210.6	93.3	42.4	8.97	33.9
2DXC-23	977	12.12	308	16.00	406	22.68	576	473.3	215.1	489.3	222.4	89.3	40.6	8.58	32.4
2DXC-25	1063	12.12	308	16.00	406	22.68	576	499.3	227.0	515.3	234.2	85.3	38.8	8.20	31.0
2DXC-27	1331	16.70	424	16.00	406	22.68	576	587.0	266.8	604.0	274.5	143.0	65.0	13.7	51.8
2DXC-29	1385	16.70	424	16.00	406	22.68	576	613.0	278.6	632.0	287.2	139.0	63.1	13.3	50.3
2DXC-31	1416	16.70	424	16.00	406	22.68	576	638.0	290.0	657.0	298.6	135.0	61.4	12.9	48.8
2DXC-33	1471	16.70	424	16.00	406	22.68	576	663.0	301.4	682.0	310.0	130.0	59.1	12.5	47.3
2DXC-35	1505	16.70	424	16.00	406	22.68	576	680.0	309.0	700.0	318.2	126.0	57.3	12.1	45.8

\* Suffix Number indicates Total Plates Per Cell.

\*\* 0.25" must be added between units for spacing purposes when calculating total battery length.

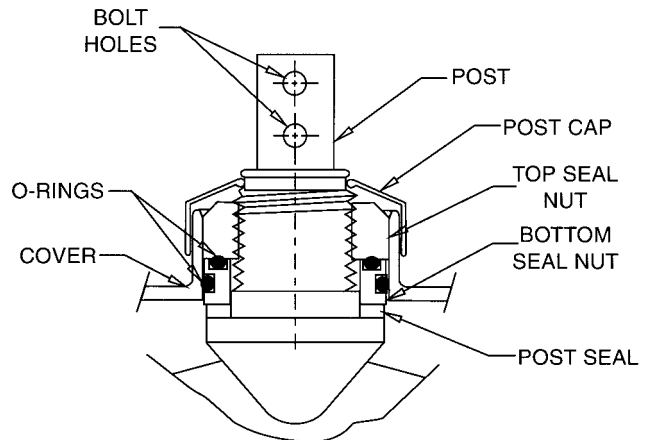
†Nominal Amp hour capacity at the 8-hour rate.

All data subject to change without notice

## Accessories

†CELL NUMBER SET	1-12	802360
	1-24	802361
	1-60	802362
	1-120	802363
	1-240	802364
	1-300	802365
†PORTABLE HYDROMETER		81332
†HYDROMETER HOLDER - WALL MOUNT		27717
†THERMOMETER		88330
(Portable or Flame Arrestor Mounting)		
FLAME ARRESTOR (Supplied With Each Cell)		96300
†Included with each system		

## Slide-Lock™ Post Seal



**NOTE:** All inter-cell, inter-tier, inter-step, end-to-end inter-rack, back-to-back inter-rack connectors, terminal lugs, and terminal plates are included with every battery. Across-aisle inter-rack connectors are not included.

Represented by:

When ordering new batteries, also remember to properly recycle your old lead batteries. Federal and state regulations require lead-acid batteries be recycled. EnerSys' nationwide service organization can arrange pickup, transportation to and recycling at any one of our company affiliated smelters. Call 1-800-972-7372 for more information.



Corporate Office: P.O. Box 14145, Reading, PA 19612-4145  
610-208-1991 • 800-538-3627  
FAX 610-372-8613

Sales Offices  
Eastern Region: 215-491-3700 • 800-346-4402  
FAX 215-491-2304

Western Region: 510-887-2046 • 888-887-2046  
FAX 510-887-6309

International: 610-208-1847  
FAX 610-208-1851

EnerSys Canada: 905-790-1212  
FAX 905-790-7070

EnerSys Argentina: 54-1-736-3000  
FAX 54-1-736-3200

EnerSys de Mexico: 52-83-656-620  
FAX 52-83-656-621

Acumuladores Navit S.A., Brazil: 55-11-6412-7522  
FAX 55-11-6481-4019

Visit us on the web at: [www.enersysstationary.com](http://www.enersysstationary.com)

Please check our website for literature updates

Printed in USA